



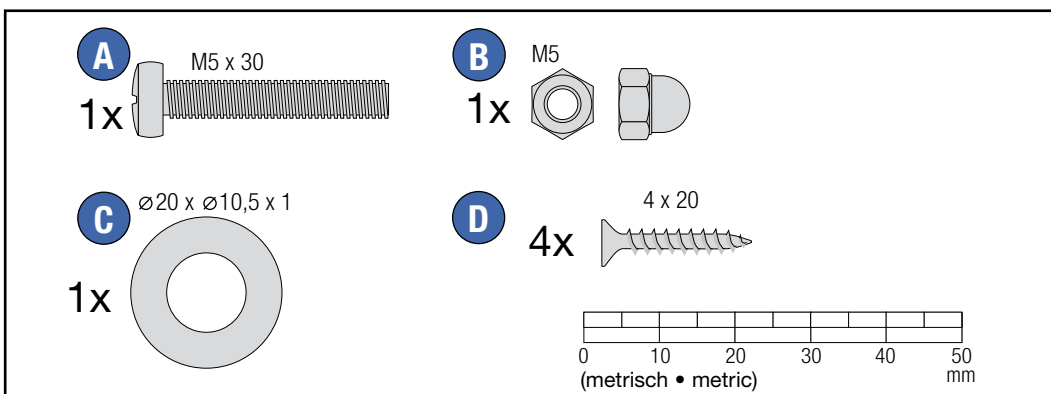
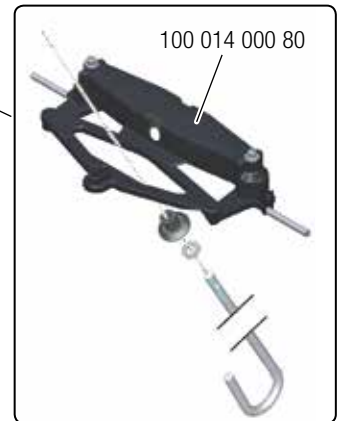
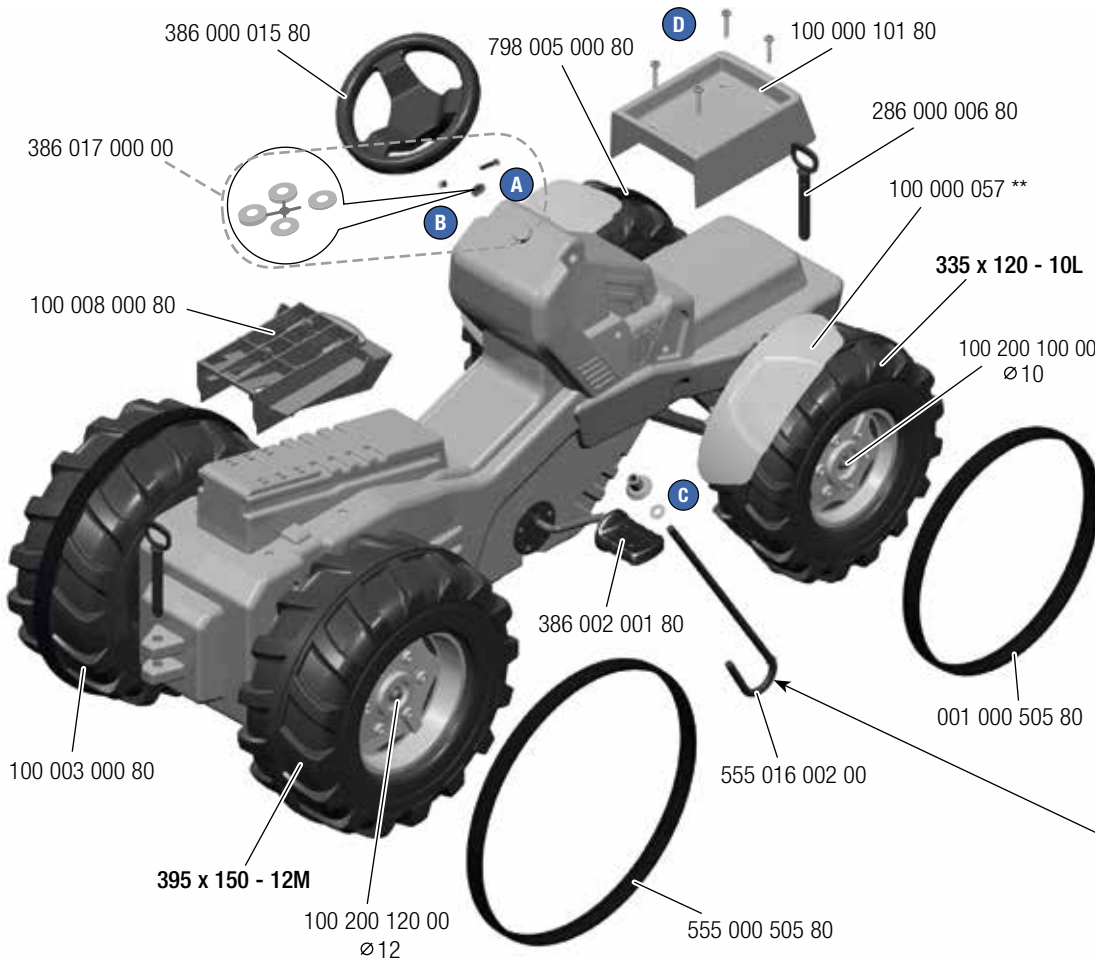
rolly toys Kundendienst Deutschland:

Tel: +49 (0) 95 68 / 856-142  
Fax: +49 (0) 95 68 / 856-183  
e-mail: service@rollytoys.de

Plattform / Platform  
64 \*\*\* \*, 65 \*\*\* \*

2018/11

640.000.800.00

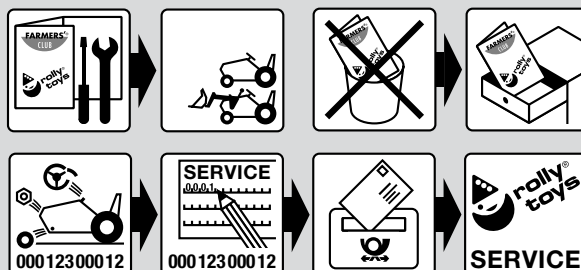


→ \*\*

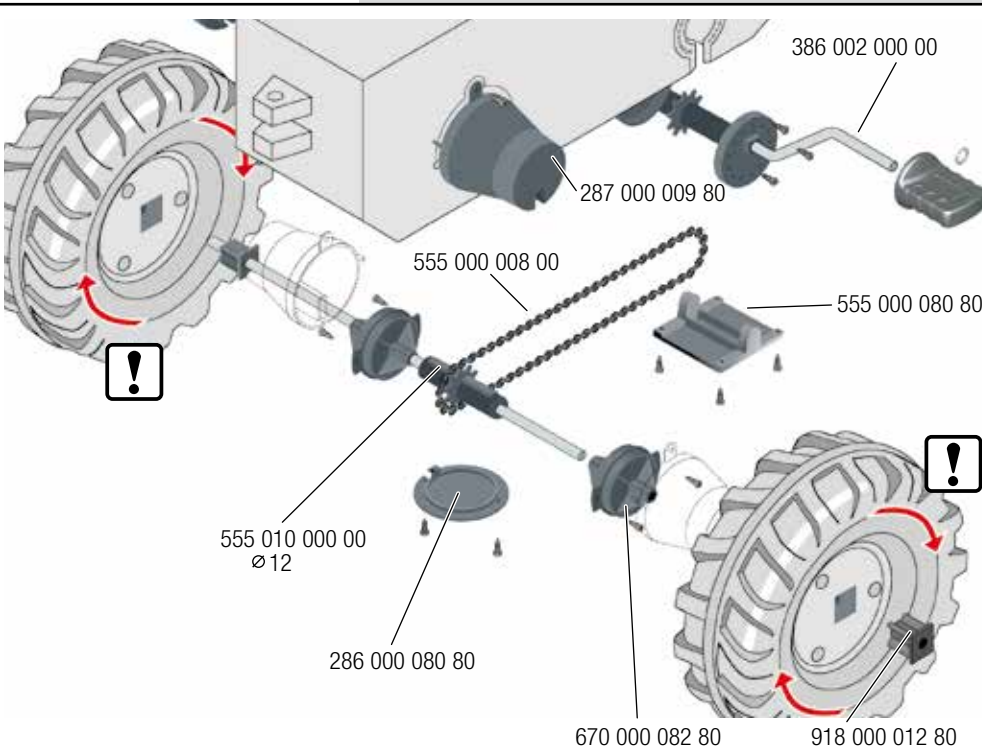
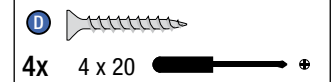
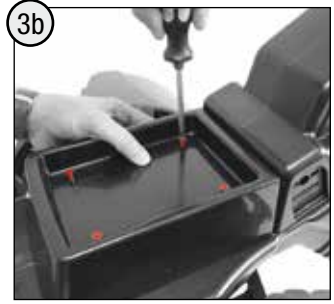
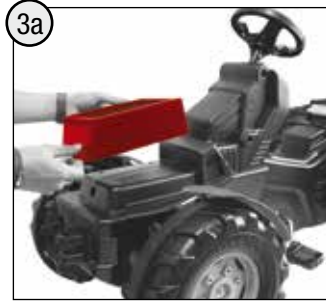
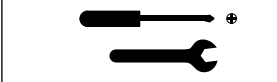
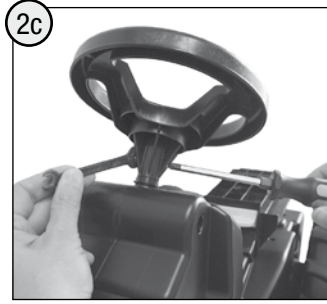
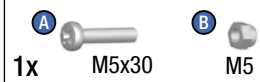
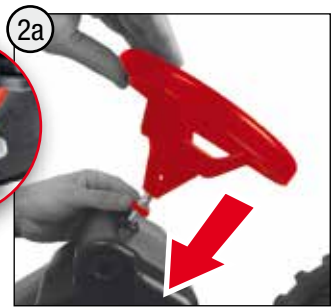
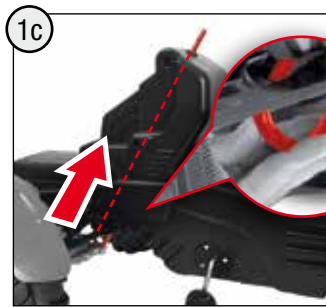
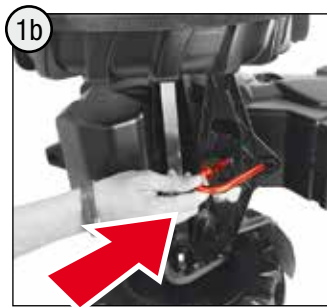
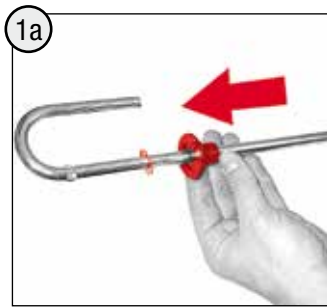
● +10	● +26	□ +70
● +12	● +30	□ +75
● +13	● +37	□ +78
● +20	● +40	● +80
● +22	● +41	
● +23	● +44	



made  
in  
Germany



**Franz Schneider GmbH & Co KG**  
P.O.Box 1460  
D-96459 · Neustadt bei Coburg · Germany  
Tel.: +49 (0) 95 68 / 856-0  
Fax.: +49 (0) 95 68 / 856-190  
www.rollytoys.com



---NORTH & SOUTH AMERICA only---

**180 days warranty**

From the date of purchase + guaranteed spare part service

The warranty does not cover damages caused by improper use or neglect



## WARNING:

**CHOKING HAZARD – Small parts.**  
Not for children under 3 years.

- CHOKING HAZARD: Small parts. Danger of being swallowed. Contains small parts in non assembled state. Must be assembled by adults.
- Adult supervision required.

- Never use near steps, slopes, driveways, hills, roadways, alleys or swimming pool areas.
- Always wear shoes.
- Never allow more than one rider.
- The use of protective gear and a safety helmet is highly recommended.
- Conforms to the requirements of ASTM Standard Consumer Safety Specification on Toy Safety, F 963
- Not suitable for children under 3 years.