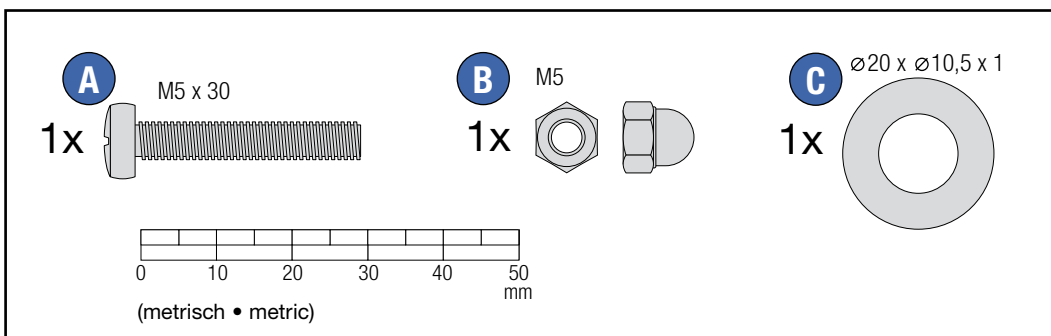
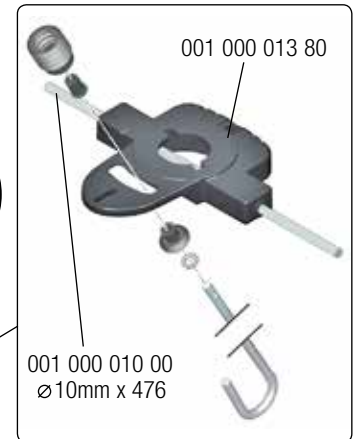
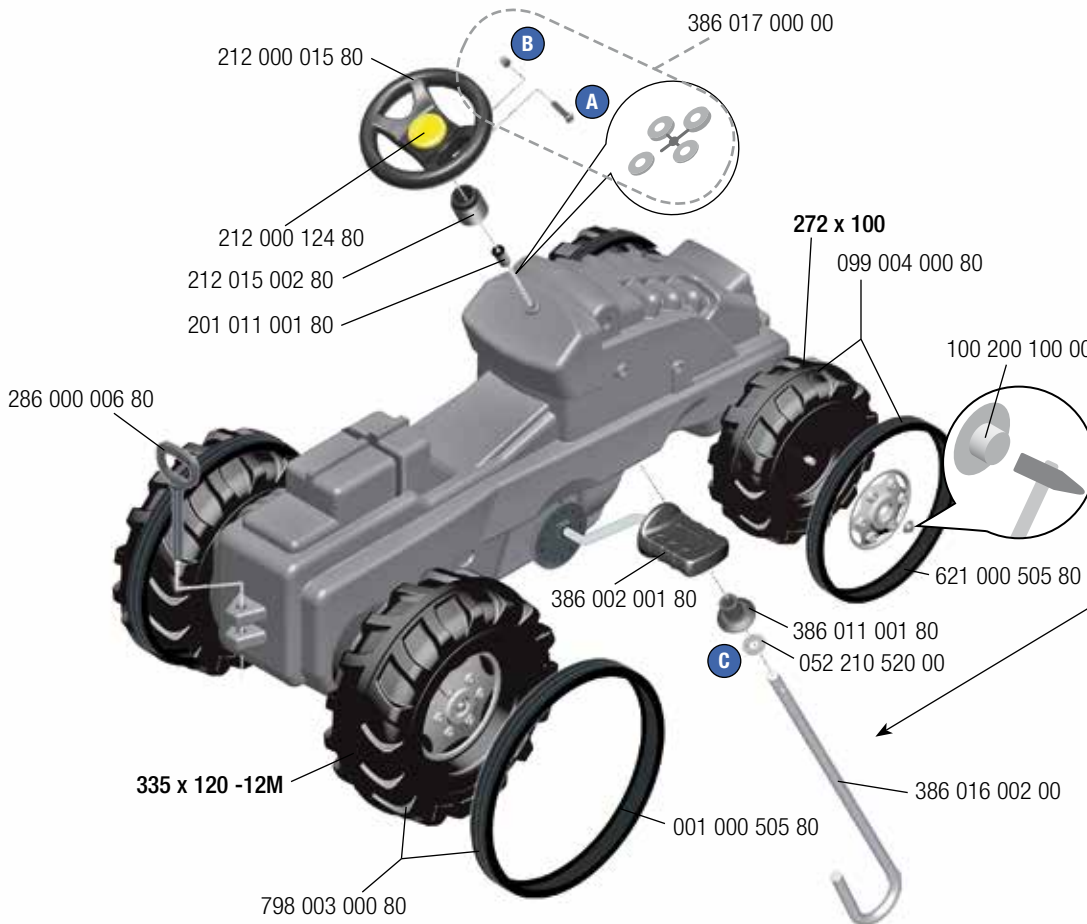


**rolly toys Kundendienst Deutschland:**

Tel: +49 (0) 95 68 / 856-142  
Fax: +49 (0) 95 68 / 856-183  
e-mail: service@rollytoys.de

2019/06

**610.000.800.00**



**WARNING:**  
**CHOKING HAZARD – Small parts.**  
Not for children under 3 years.



**made  
in  
Germany**

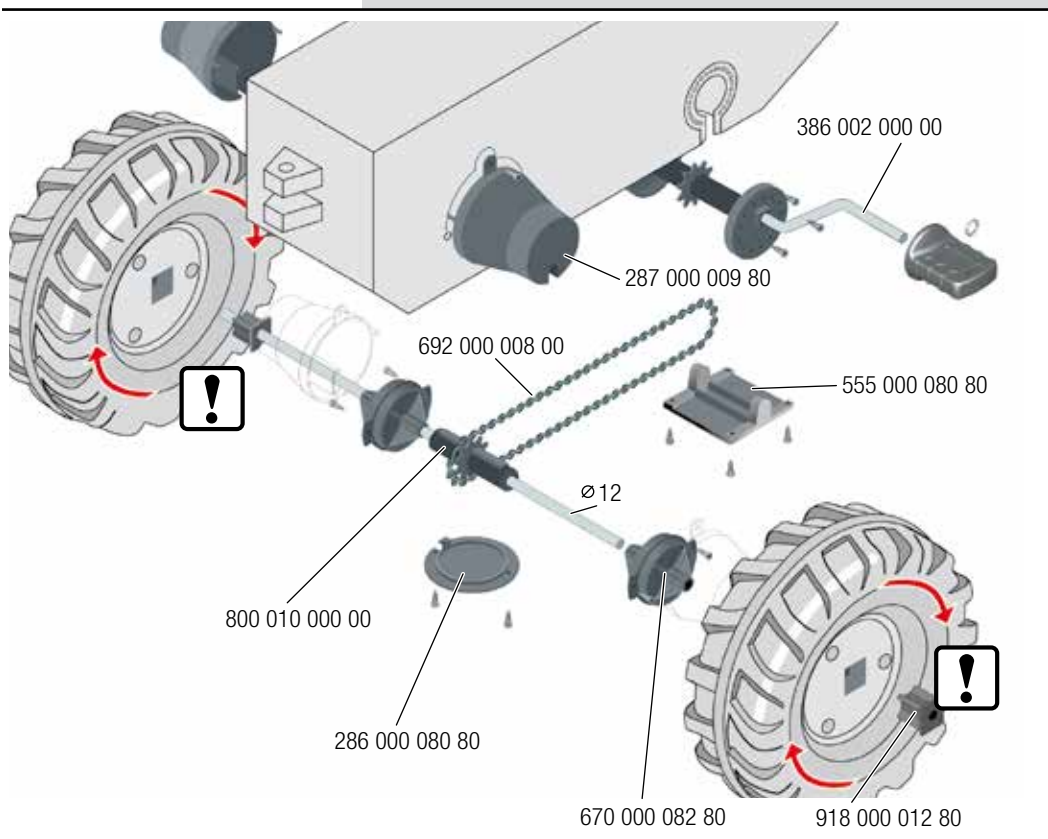
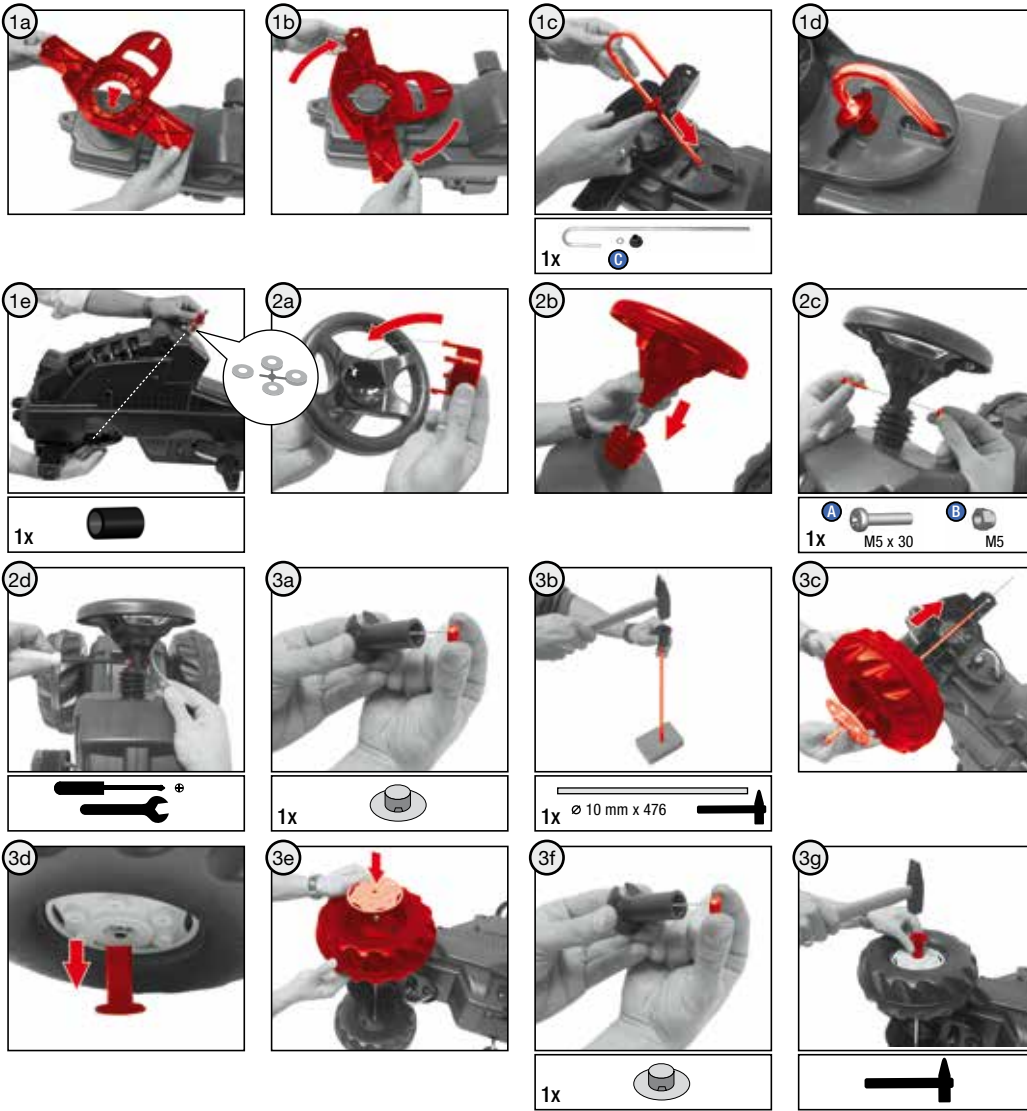


**Franz Schneider GmbH & Co KG**  
P.O.Box 1460  
D-96459 · Neustadt bei Coburg · Germany  
Tel.: +49 (0) 95 68 / 856-0  
Fax.: +49 (0) 95 68 / 856-190  
www.rollytoys.com

--- NORTH & SOUTH AMERICA only ---

# 180 days warranty

From the date of purchase + guaranteed spare part service  
The warranty does not cover damages caused by improper use or neglect



## WARNING

- CHOKING HAZARD - Small parts, Danger of being swallowed. Contains small parts in non assembled state.
- Must be assembled by adults.
- If toy is defective stop using it, repairs may only be carried out by adults.
- Adult supervision required.
- Never use near steps, slopes, driveways, hills, roadways, alleys or swimming pool areas.
- Always wear shoes.
- Never allow more than one rider.
- The use of protective gear and safety helmet is highly recommended.
- Conforms to the requirements of ASTM Standard Consumer Safety Specification on Toy Safety, F 963.