

rollytoys Kundendienst Deutschland:

Tel: +49 (0) 95 68 / 856-142

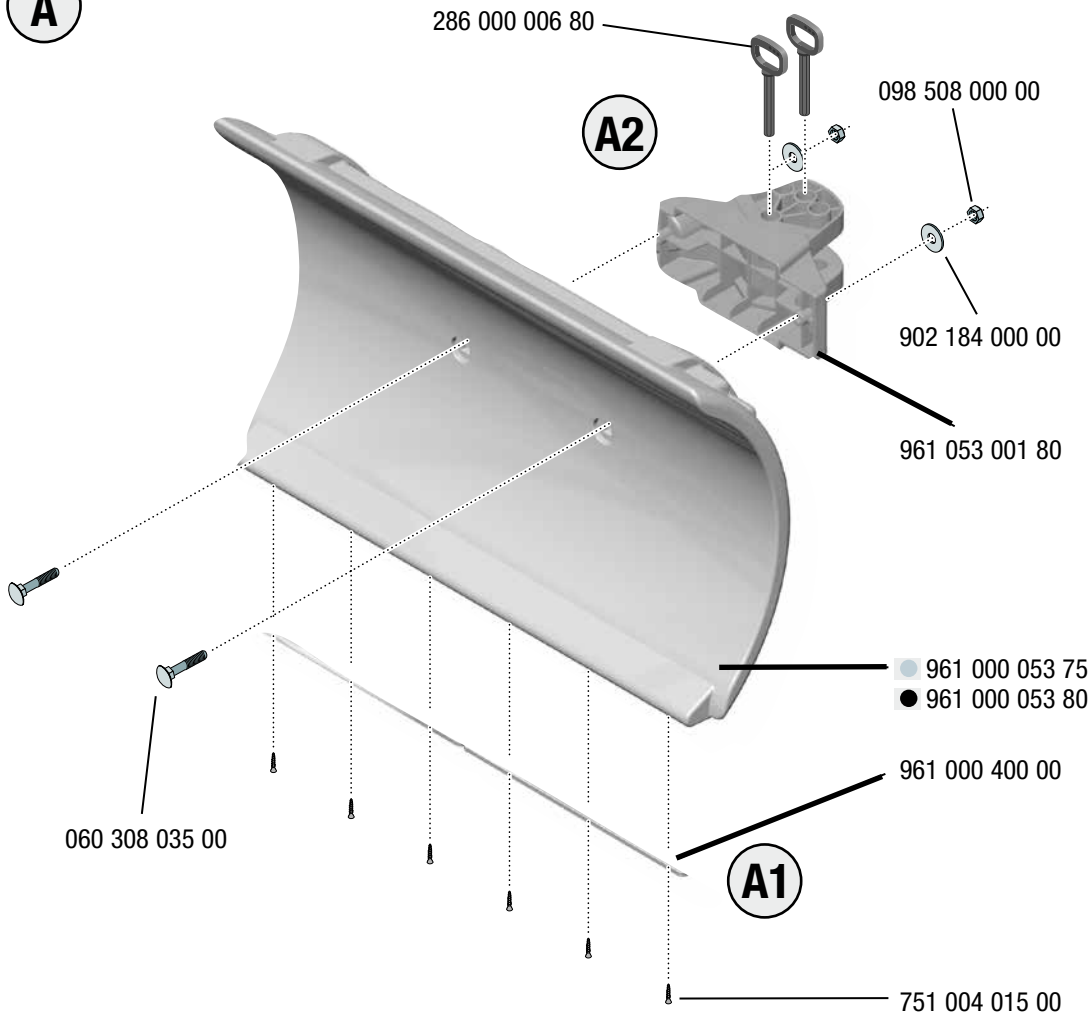
Fax: +49 (0) 95 68 / 856-183

e-mail: service@rollytoys.de

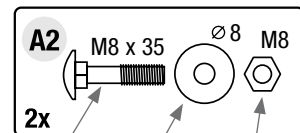
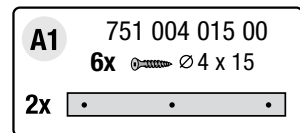
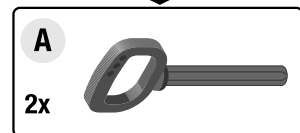
2018/11

961.000.800.00

A



A2



060 308 035 00
902 184 000 00
098 508 000 00



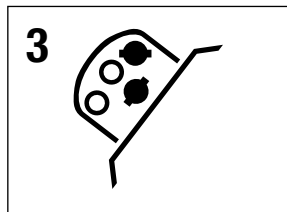
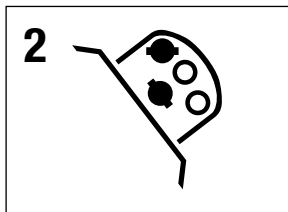
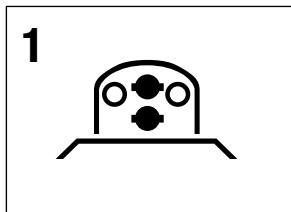
made in Germany

---NORTH & SOUTH AMERICA only---

180 days warranty

From the date of purchase + guaranteed spare part service

The warranty does not cover damages caused by improper use or neglect



WARNING:

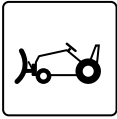
CHOKING HAZARD – Small parts.
Not for children under 3 years.

- CHOKING HAZARD - Small parts, Danger of being swallowed Contains small parts in non assembled state. Must be assembled by adults.

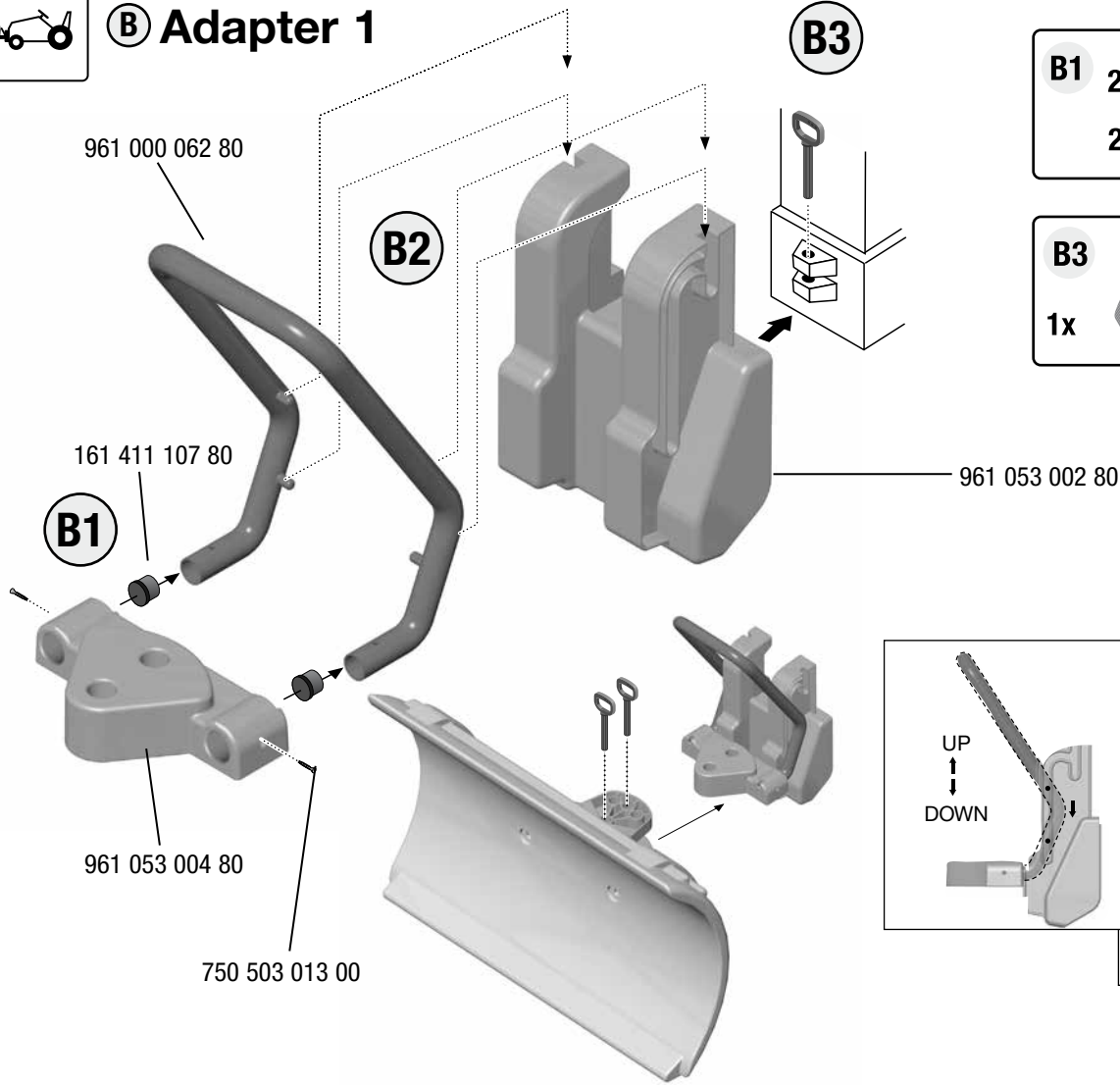
- Toy is not suitable to carry children.
- If toy is defective stop using it, repairs may only be carried out by adults.
- Adult supervision required.
- Never use near steps, slopes, driveways, hills, roadways, alleys or swimming pool areas.
- Always wear shoes.
- Conforms to the requirements of ASTM Standard Consumer Safety Specification on Toy Safety, F 963.



Franz Schneider GmbH & Co KG
P.O.Box 1460
D-96459 · Neustadt bei Coburg · Germany
Tel.: +49 (0) 95 68 / 856-0
Fax.: +49 (0) 95 68 / 856-190
www.rollytoys.com

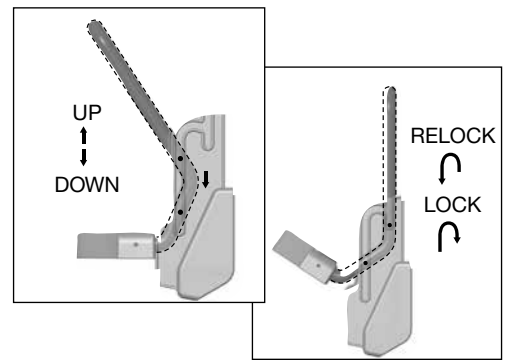


B Adapter 1



B1 2x 520 060 417 00
 2x 4 x 17

B3
 1x



C Adapter 2

Trac Lader + Adapter 2

