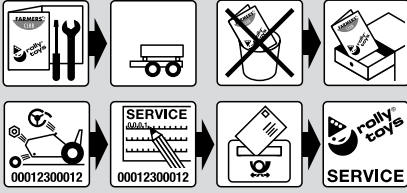
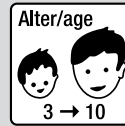


Wendepflug

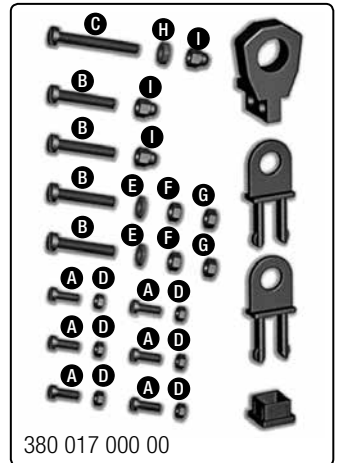
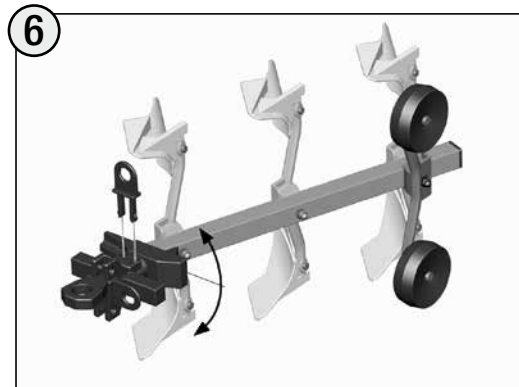
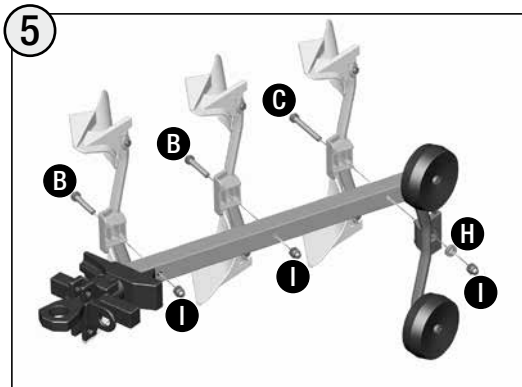
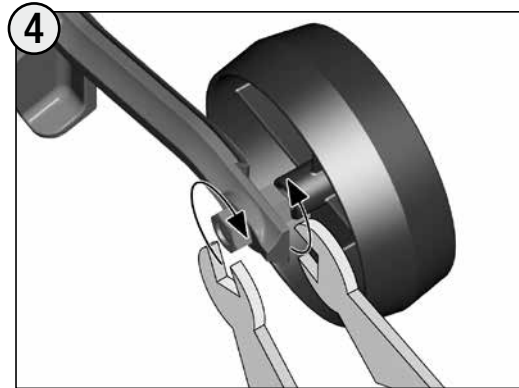
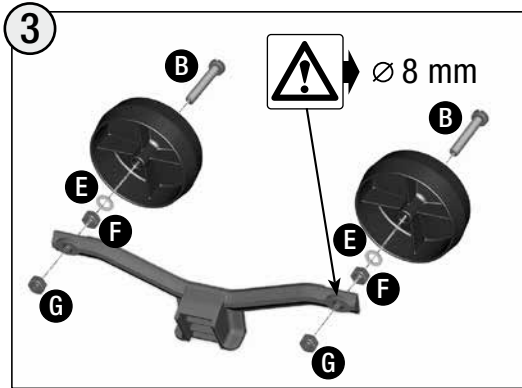
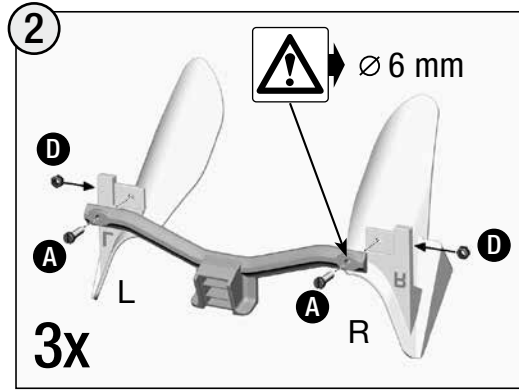
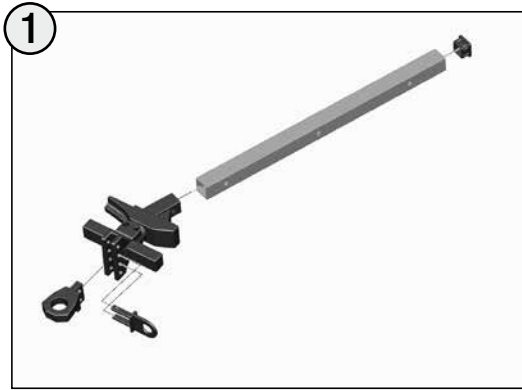


rolly toys Kundendienst Deutschland:

Tel: +49 (0) 95 68 / 856-142
 Fax: +49 (0) 95 68 / 856-183
 e-mail: service@rollytoys.de

2019/06

380.000.800.00



380 017 000 00



made in Germany

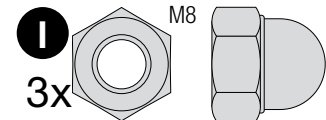
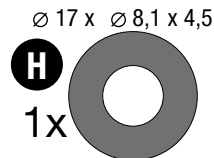
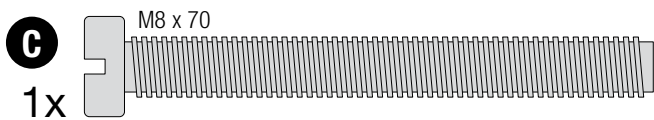
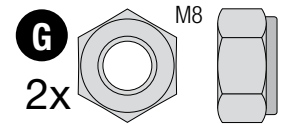
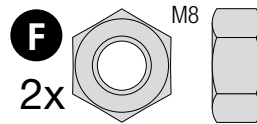
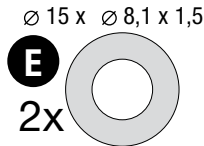
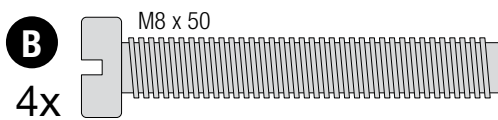
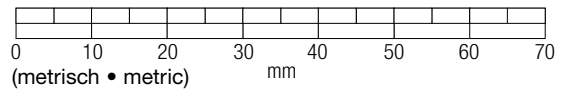
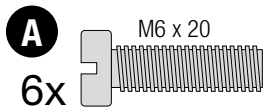
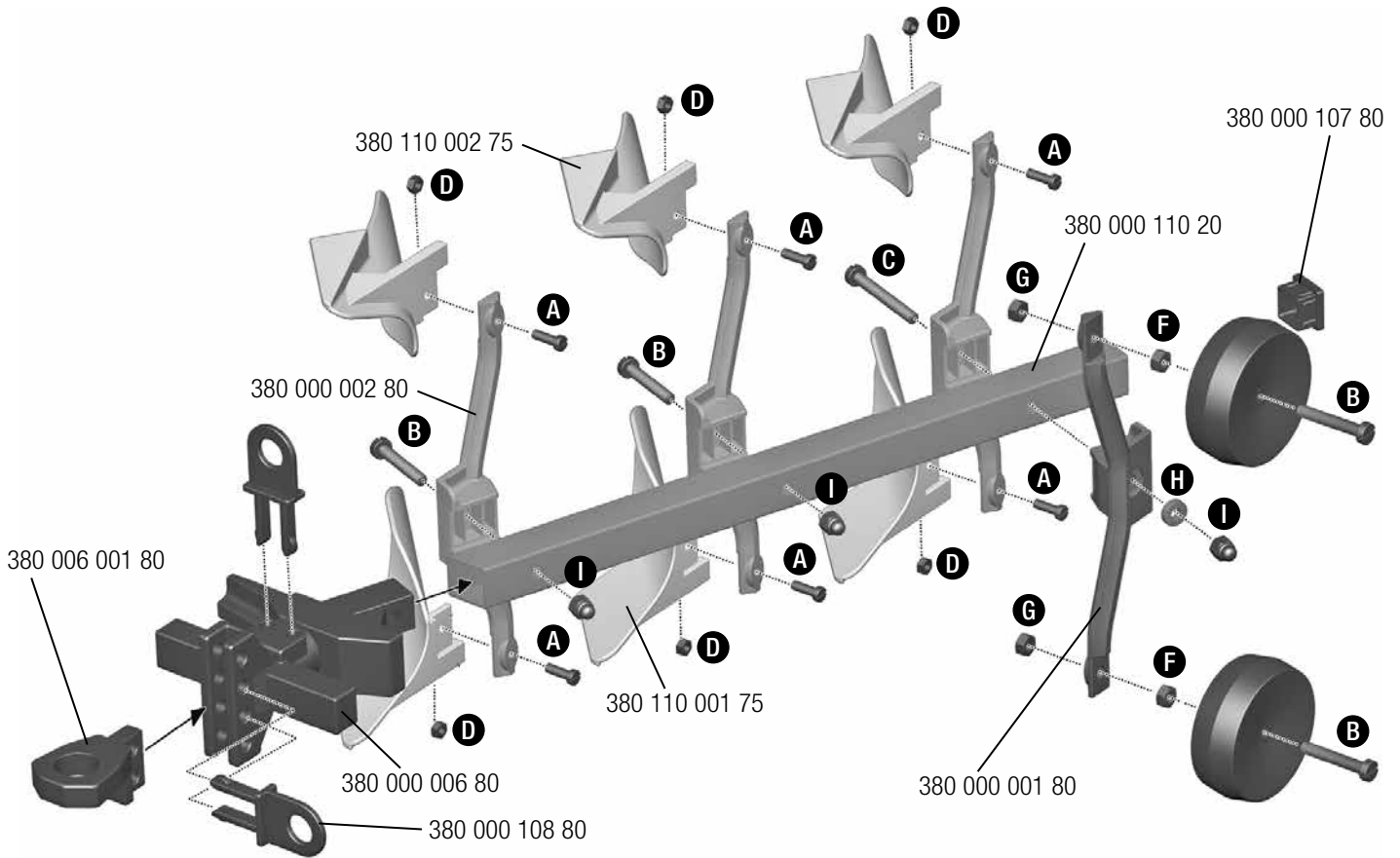


<input type="checkbox"/>	rolly Dreiradtraktoren	05 ●●●●
<input type="checkbox"/>	rollyMinitrac	13 ●●●●
<input type="checkbox"/>	rollyKiddy	62 ●●●● / 63 ●●●●
<input type="checkbox"/>	rollyKid	01 ●●●● / 02 ●●●●
<input checked="" type="checkbox"/>	rollyJunior	80 ●●●● / 81 ●●●●
<input checked="" type="checkbox"/>	rollyFarmtrac	60 ●●●● / 61 ●●●●
<input checked="" type="checkbox"/>	rollyFarmtrac Classic	03 ●●●● / 04 ●●●●
<input checked="" type="checkbox"/>	rollyFarmtrac Premium	70 ●●●● / 71 ●●●●
<input checked="" type="checkbox"/>	rollyX-Trac	03 ●●●● / 04 ●●●●
<input checked="" type="checkbox"/>	rollyTruck (Unimog)	03 ●●●●



Franz Schneider GmbH & Co KG

P.O.Box 1460
 D-96459 · Neustadt bei Coburg · Germany
 Tel.: +49 (0) 95 68 / 856-0
 Fax.: +49 (0) 95 68 / 856-190
 www.rollytoys.com



---NORTH & SOUTH AMERICA only---

180 days
warranty

From the date of purchase +
guaranteed spare part service

The warranty does not cover damages
caused by improper use or neglect



WARNING:

CHOKING HAZARD – Small parts.
Not for children under 3 years.

- CHOKING HAZARD - Small parts, Danger of being swallowed. Contains small parts in non assembled state. Must be assembled by adults.
- Toy is not suitable to carry children.
- If toy is defective stop using it, repairs may only be carried out by adults.
- Adult supervision required.
- Never use near steps, slopes, driveways, hills, roadways, alleys or swimming pool areas.
- Always wear shoes.
- Conforms to the requirements of ASTM Standard Consumer Safety Specification on Toy Safety, F 963.

